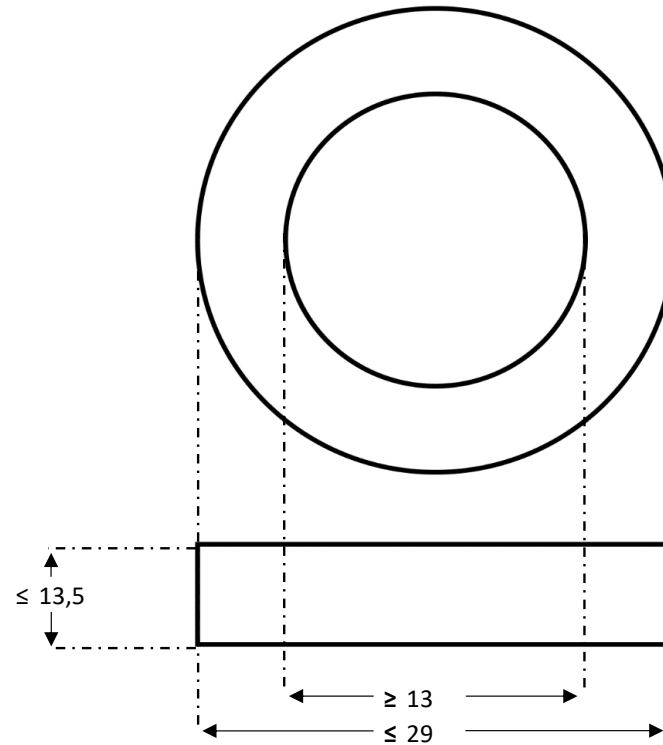


Product		Core Material	Core Dimensions	Case Dimensions	Weight in gram	Packaging
D0025R04N01-01		Nanocrystalline	25x16x10 mm	29x13x13,5 mm	18	390 pcs. per box
Housing		Permeability	Frequency	H_{peak}	L_{Fe}	A_{Fe}
Cased	Round	4000	10 kHz	3 mA/cm	6,4 cm	0,36 cm ²



Values in mm

Inspection Values	Measurement limits	Frequency	$I_{eff} \times N$ (mA turns)	Date: 27.03.2024
AL (μH)	2,0 - 4,0	10 kHz	100	Index: 1 Revision: 1
AL (μH)	2,0 - NA	100 kHz	100	Comments:
Created	Approved	Released	Quality	Product released
MWE	MMO	HJP/MMO	HJP	All parameters can be changed without prior notice.

