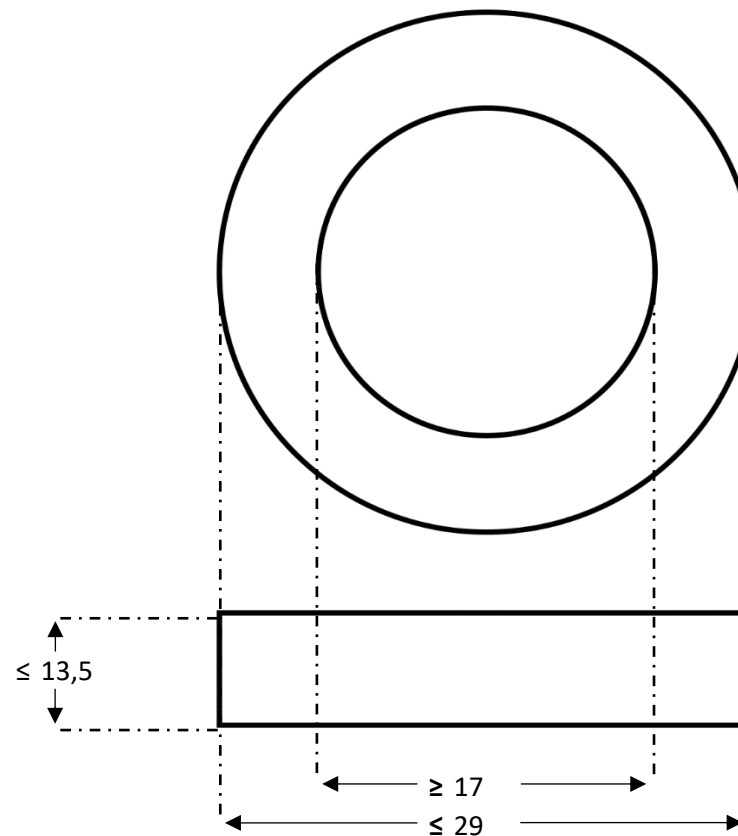


| Product | | Core Material | Core Dimensions | Case Dimensions | Weight in gram | Packaging |
|----------------|-------|-----------------|-----------------|-----------------|----------------|---------------------|
| D0025R30N01-02 | | Nanocrystalline | 25x20x10 mm | 29x17x13,5 mm | 11 | 450 pcs. pr. box |
| Housing | | Permeability | Frequency | H_{peak} | L_{Fe} | A_{Fe} |
| Cased | Round | 30000 | 10 kHz | 3 mA/cm | 7,1 cm | 0,2 cm ² |



Values in mm

| Inspection Values | Measurement limits | Frequency | $I_{eff} \times N$ (mA turns) | Date: | 23.04.2024 |
|-------------------|--------------------|-----------|-------------------------------|---|------------|
| AL (μ H) | 7,5 - 14,9 | 10 kHz | 100 | Index: | 2 |
| AL (μ H) | 3,7 - NA | 100 kHz | 100 | Revision: | 1 |
| Created | Approved | Released | Quality | Comments: | - |
| MWE | MMO | HJP/MMO | HJP | All parameters can be changed without prior notice. | |



Blueferrite.com