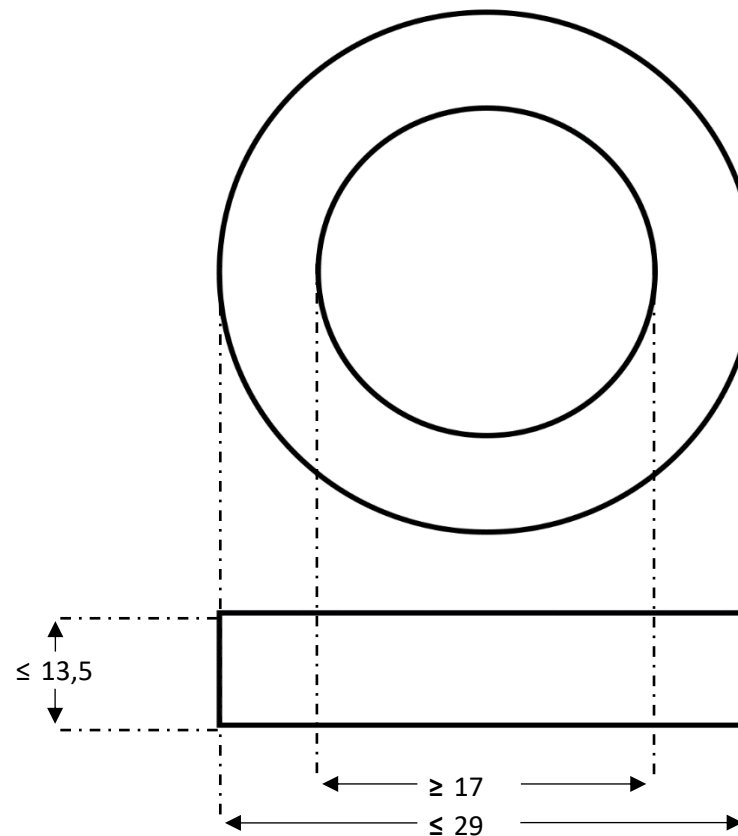


Product		Core Material	Core Dimensions	Case Dimensions	Weight in gram	Packaging
D0025R60N01-02		Nanocrystalline	25x20x10 mm	29x17x13,5 mm	11	450
Housing		Permeability	Frequency	H_{peak}	L_{Fe}	A_{Fe}
Cased	Round	60000	10 kHz	3 mA/cm	7,1 cm	0,2 cm ²



Values in mm

Inspection Values	Measurement limits	Frequency	$I_{eff} \times N$ (mA turns)	Date:	23.04.2024
AL (μH)	15,0 - 30,0	10 kHz	100	Index:	2
AL (μH)	3,7 - NA	100 kHz	100	Revision:	1
Created	Approved	Released	Quality	Comments:	
MWE	MMO	HJP/MMO	HJP	All parameters can be changed without prior notice.	



Blueferrite.com