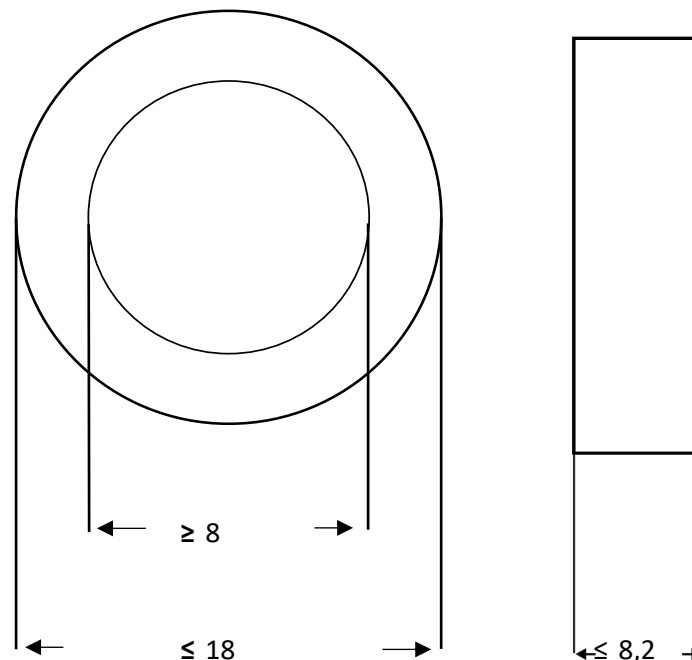


| Product | | Core Material | Core Dimensions | Case Dimensions | Weight in gram | Packaging |
|----------------|-------|-----------------|-----------------|-----------------|----------------|----------------------|
| D0016R30N01-01 | | Nanocrystalline | 16x10x6 mm | 18x8x8,2 mm | 5 | 990 pcs. pr. box |
| Housing | | Permeability | Frequency | H_{peak} | L_{Fe} | A_{Fe} |
| Cased | Round | 30000 | 10 kHz | 3,5 mA/cm | 4,1 cm | 0,14 cm ² |



Values in mm

| Inspection Values | Measurement limits | Frequency | $I_{eff} \times N$ (mA turns) | Date: | 24.03.2023 |
|-------------------|--------------------|-----------|-------------------------------|---|---------------|
| AL (μH) | 9,5 - 19,0 | 10 kHz | 100 | Index: | 1 Revision: 1 |
| AL (μH) | 4,5 - NA | 100 kHz | 100 | Comments: | |
| Created | Approved | Released | Quality | Product released | |
| MWE | MMO | HJP/MMO | HJP | All parameters can be changed without prior notice. | |



Blueferrite.com