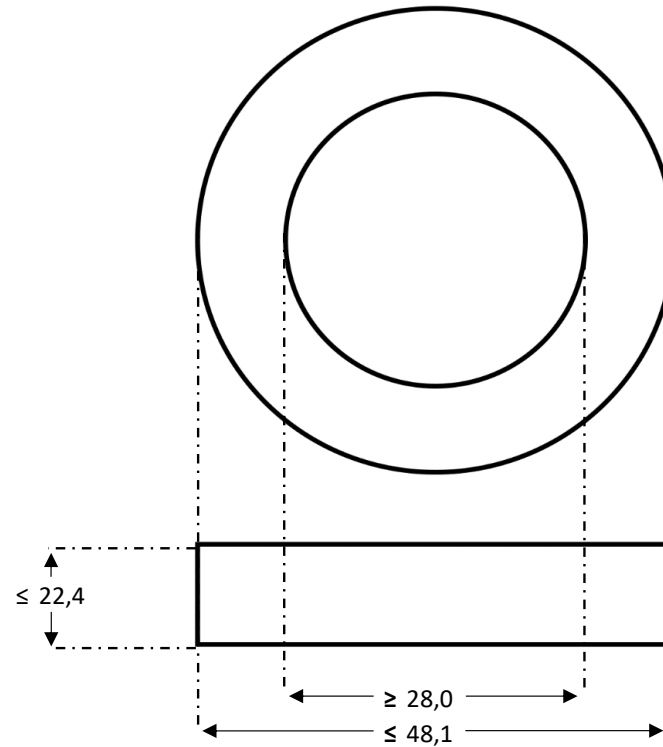
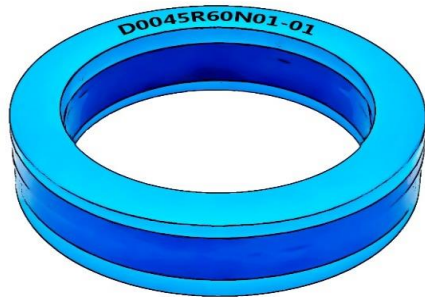


Product		Core Material	Core Dimensions	Case Dimensions	Weight in gram	Packaging
D0045R60N01-01		Nanocrystalline	45x30x20 mm	48,1x28,0x22,4 mm	120	85 pcs. pr. box
Housing		Permeability	Frequency	$H_{peak}$	$L_{Fe}$	$A_{Fe}$
Cased	Round	60000	10 kHz	3 mA/cm	11,8 cm	1,20 cm <sup>2</sup>



Values in mm

Inspection Values	Measurement limits	Frequency	$I_{eff} \times N$ (mA turns)	Date: 24.03.2023
AL (μH)	53,7 - 107,4	10 kHz	25	Index: 1 Revision: 1
AL (μH)	13,4 - NA	100 kHz	25	Comments:
Created	Approved	Released	Quality	Product released
MWE	MMO	HJP/MMO	HJP	

